

Fig 2: Exterior Lamps Circuit (1 of 3)

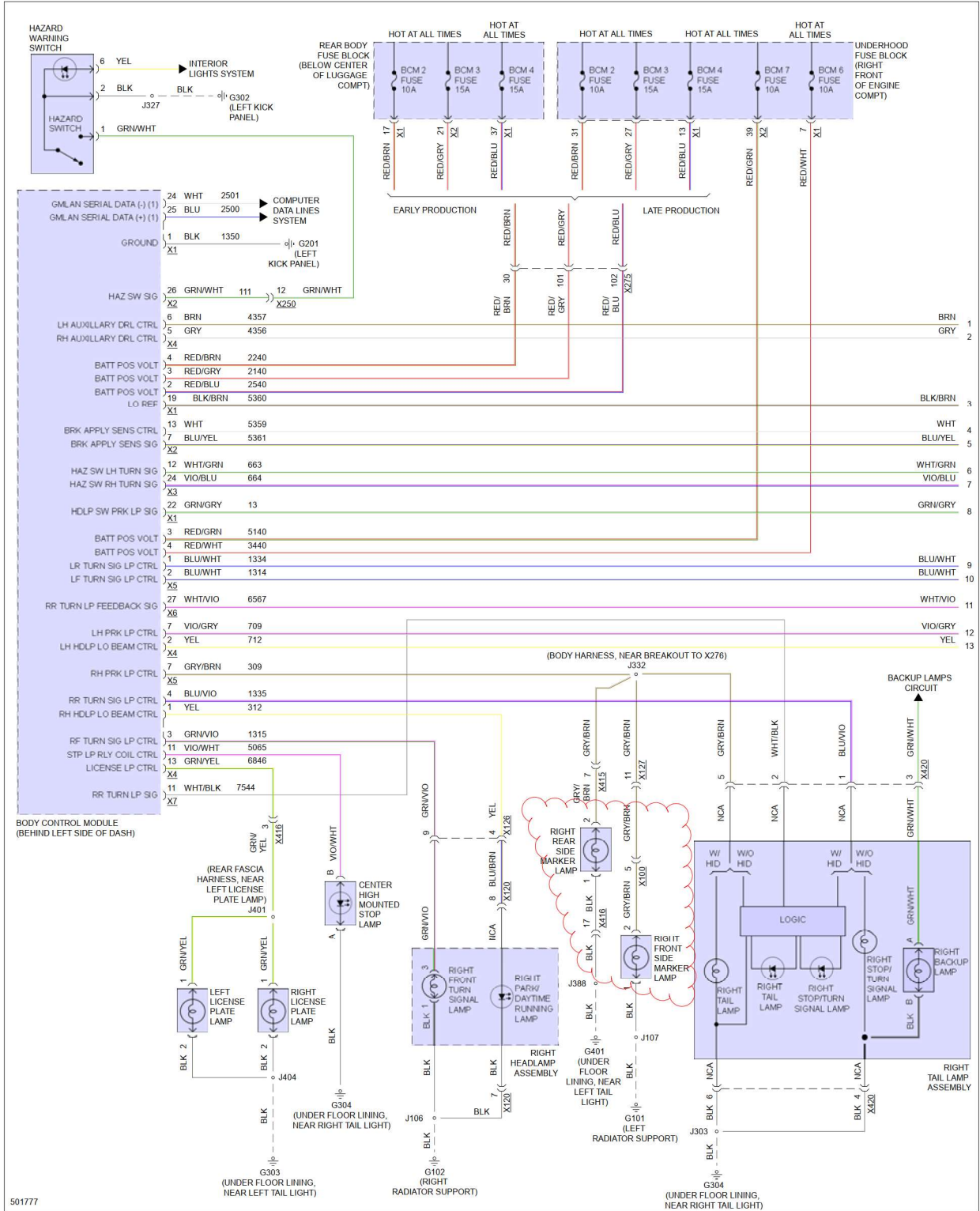
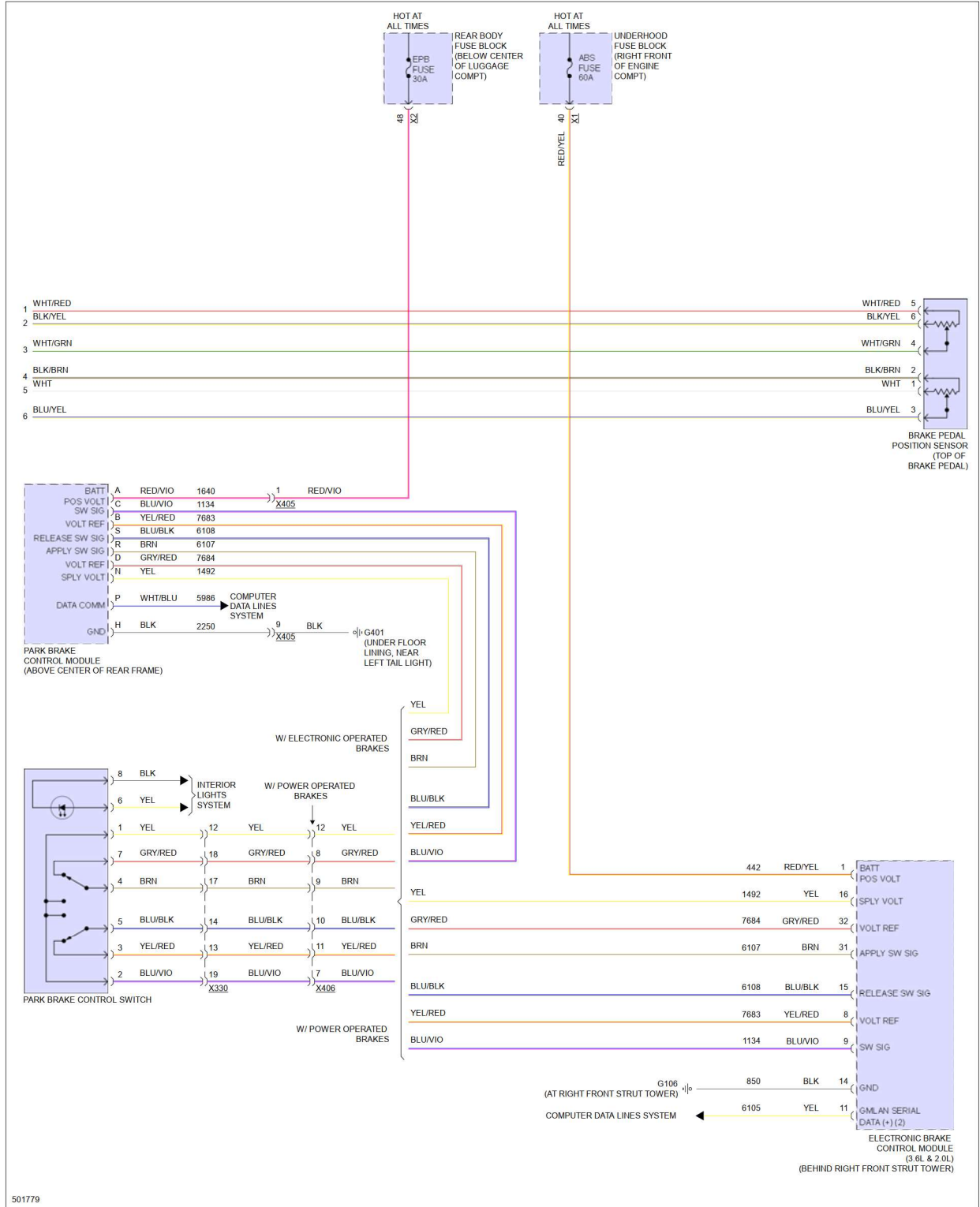




Fig 4: Exterior Lamps Circuit (3 of 3)



# GROUND DISTRIBUTION

Fig 1: Ground Distribution Circuit (1 of 6)

